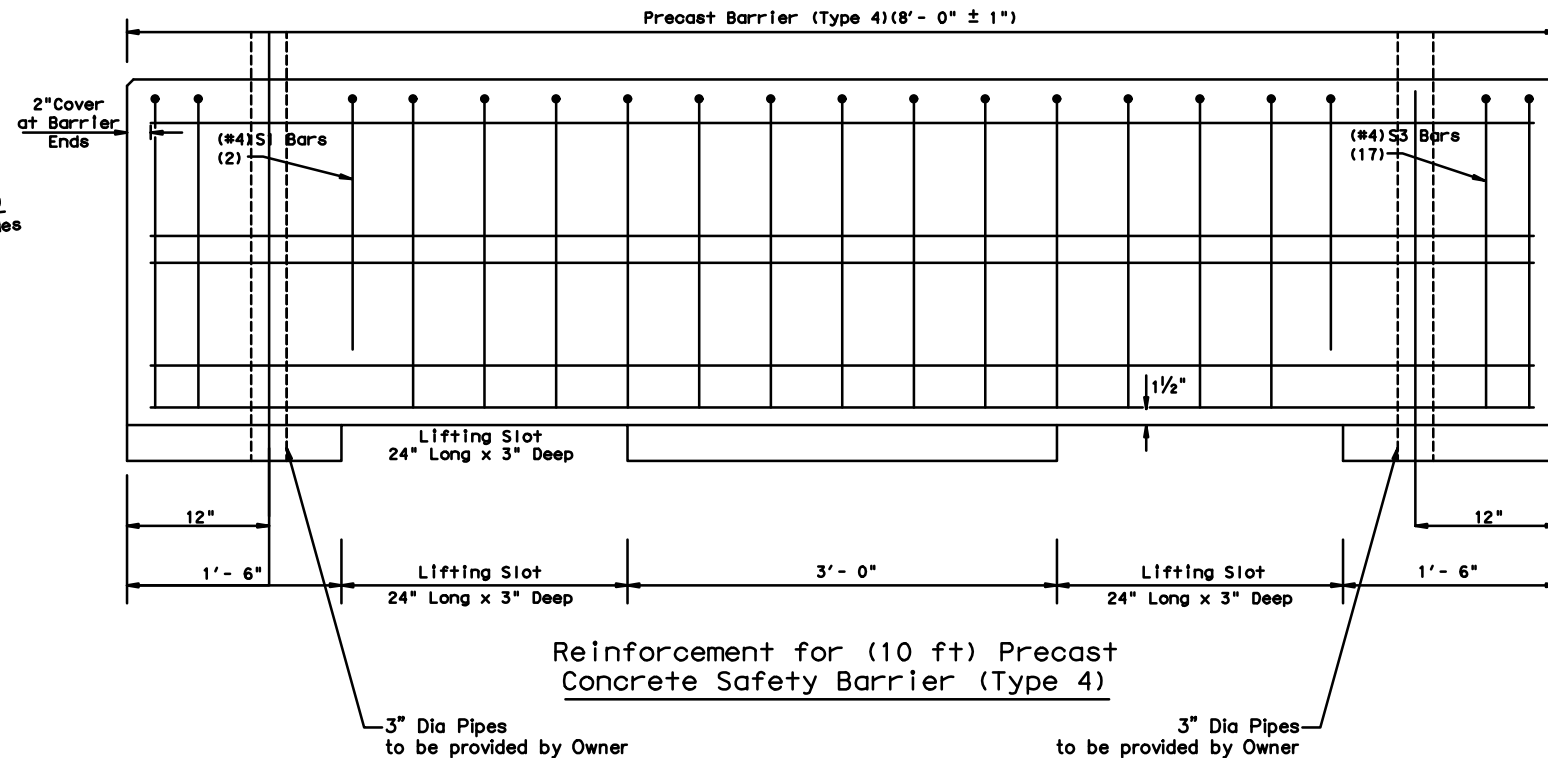
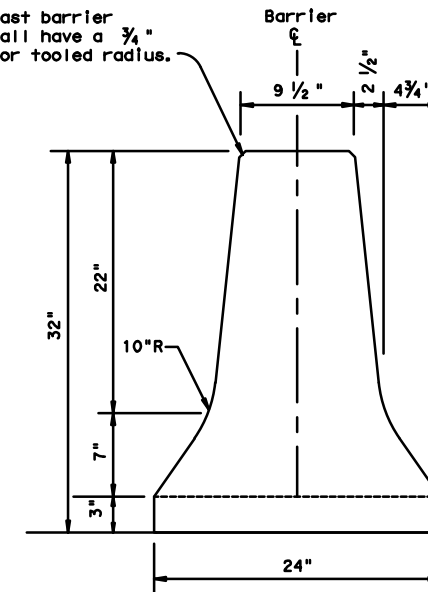


End View
Precast Barrier



Reinforcement for (10 ft) Precast
Concrete Safety Barrier (Type 4)

All precast barrier
edges shall have a 3/4" chamfer or tooling radius.



Concrete Safety Barrier

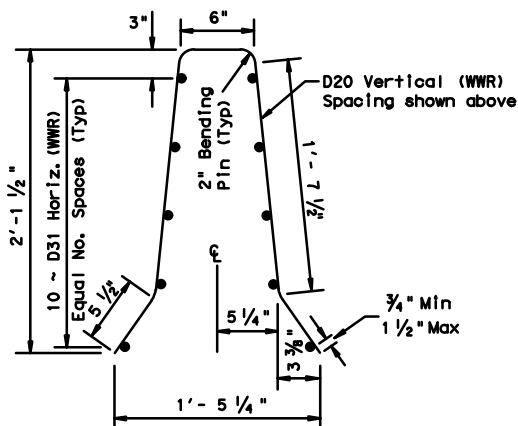
General Notes

- Concrete shall be Class H, with a minimum compressive strength of 3,600 psi.

Approximate Per L.F. Quantities

	Precast
Concrete CY.	0.108
Rebar LB.	14.8

For Contractor's information only
Weight of one Precast 10 ft. unit = Approx. 2 Tons



Welded Wire Reinforcement
(WWR) Option for Bars R and S3

(WWR) General Notes

- Deformed Welded Wire Reinforcement (WWR) shall conform to ASTM A497.
- All reinforcement shall comply with Item 440, "Reinforcing Steel."
- Combinations of reinforcing steel and WWR will be permitted, as directed by the Engineer. The dimension from the end of the barrier section to the first wire shall not exceed 3".

<p>CONCRETE SAFETY BARRIER (F-SHAPE) PRECAST BARRIER (TYPE 4) (10 FOOT, BARRIER SEGMENT) CSB (8) - 10</p>			
FILE#	csb810.dgn	DW#	TxDOT
CHK#	AM	DW#	BD
CHK#			
© TxDOT	December 2010	CONT	SECT
REVISIONS		JOB	HIGHWAY
		COUNTY	SHEET NO.